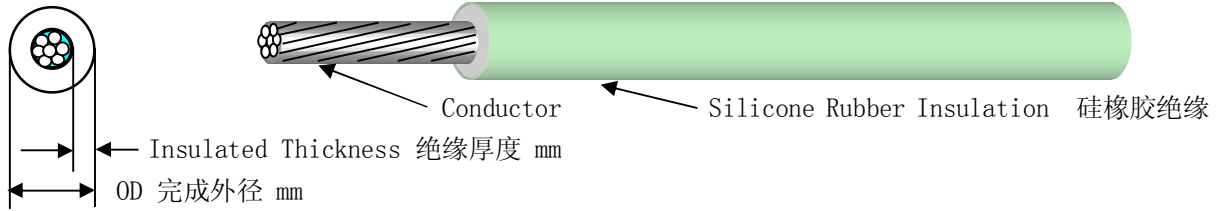


# 美国军用电线 MIL-DTL-16878/8C



## 引用标准:

MIL-DTL-16878/8C 11 August 2000

替代

MIL-W-16878/8B(NAVY) 11 September 1992

## 使用材质:

硅橡胶 (SILICONE RUBBER) 材质绝缘, 额定温度: 200°C; 额定电压: 1000V。

## 应用范围:

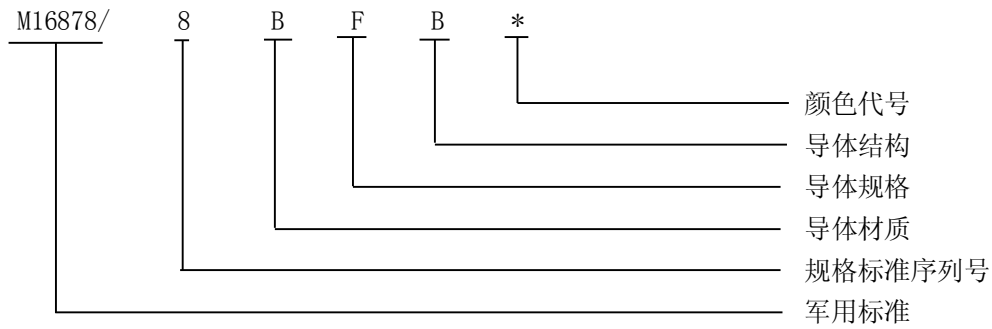
应用于国防部相关的各个部门。

## 标准规格参数:

PIN	Wire size (AWG)	Stranding	Conductor		Conductor Diameter (mm)	Insulated Thickness Nominal (mm)	Finished Wire Diameter (mm)	
			Material	Coating			Min	Max
M16878/8BEB*	24	7/0.203	Copper	Silver	0.610	0.80	2.108	2.311
M16878/8BFB*	22	7/0.254	Copper	Silver	0.762	0.80	2.261	2.464
M16878/8BGB*	20	7/0.320	Copper	Silver	0.965	0.80	2.464	2.667
M16878/8BGC*	20	10/0.254	Copper	Silver	0.965	0.80	2.464	2.667
M16878/8BHB*	18	7/0.404	Copper	Silver	1.219	0.80	2.718	2.921
M16878/8BHD*	18	16/0.254	Copper	Silver	1.219	0.80	2.718	2.921
M16878/8BJE*	16	19/0.287	Copper	Silver	1.448	0.80	2.946	3.150
M16878/8BJF*	16	26/0.254	Copper	Silver	1.448	0.80	2.946	3.150
M16878/8BKE*	14	19/0.361	Copper	Silver	1.829	1.20	4.089	4.343
M16878/8BKH*	14	41/0.254	Copper	Silver	1.829	1.20	4.089	4.343
M16878/8BLE*	12	19/0.455	Copper	Silver	2.311	1.20	4.572	4.826
M16878/8BLJ*	12	65/0.254	Copper	Silver	2.311	1.20	4.572	4.826
M16878/8BMG*	10	37/0.404	Copper	Silver	2.819	1.20	5.080	5.334
M16878/8BMK*	10	105/0.254	Copper	Silver	3.048	1.20	5.080	5.334
M16878/8BNL*	8	133/0.287	Copper	Silver	4.293	1.60	7.137	7.798
M16878/8BPL*	6	133/0.361	Copper	Silver	5.410	1.60	8.280	8.915
M16878/8BRL*	4	133/0.455	Copper	Silver	6.833	1.60	9.703	10.338
M16878/8BSL*	2	133/0.574	Copper	Silver	8.509	1.60	11.379	12.014
M16878/8BTN*	1	259/0.455	Copper	Silver	9.601	2.00	13.183	13.970
M16878/8BUN*	0	259/0.511	Copper	Silver	10.770	2.00	14.351	15.138
M16878/8BWN*	00	259/0.574	Copper	Silver	12.116	2.00	15.697	16.485
M16878/8BYN*	000	259/0.643	Copper	Silver	13.538	2.00	17.628	18.415
M16878/8BZN*	0000	259/0.724	Copper	Silver	15.265	2.00	18.847	19.634

## 备注:

- 1、PIN (Part or Identifying Number) 型号
- 2、电线型号表示方法: 例如: M16878/8BFB\*



**技术要求:**

- 1、火花机测试电压: 5.0kv
- 2、冲击试验电压: 8.0kv 或 3.0kHz、5.7kv 火花机测试
- 3、耐压试验电压: 3.0kv
- 4、绝缘电阻:  $IR_{20^{\circ}C} = K \cdot \log_{10} D/d$  (MΩ/KF)  
 $IR_{20^{\circ}C}$ : 20°C 的最小绝缘电阻  
 K=1000  
 D: 电线最大完成外径  
 d: 导体直径
- 5、冷弯曲试验: 试验温度 X 时间:  $-55 \pm 1^{\circ}C$  X 4h  
 试验用芯轴直径:

电线规格 (AWG)	最大芯轴直径 (mm)
24AWG、22AWG	25.4
20AWG~12AWG	50.8
10AWG~6AWG	76.2
4AWG、2AWG	114.3
1AWG、0AWG	152.4
00AWG、000AWG、0000AWG	254

- 6、热冲击试验: 试验温度: 250°C
- 7、抗张强度 (Min): 700Ibs/Inch<sup>2</sup> 或 4.82 MPa
- 8、断裂伸长率 (Min): 125%
- 9、热老化试验: 不作要求
- 10、表面电阻: 不作要求
- 11、标记耐擦性: 不作要求